

# GENERAL NOTES

**BUILDING CODE**  
 BUILDING CODE USED \* \* \* \* \* IBC 2018

**DESIGN LOADS**  
 WIND SPEED (3 SEC GUST, 33 FT, CAT. II) \* \* \* \* \* 110 MPH (ASCE 7-16)  
 GRADEWINDS (ASCE 7-16) \* \* \* \* \* 40MPH P.S.F.  
 SNOW LOAD \* \* \* \* \* 0.25 P.S.F.

REFERENCE (ASCE 7-16)  
 TABLE 6-3 \* \* \* \* \* RSD-85  
 TABLE 6-4 \* \* \* \* \* RSD-10  
 TABLE 6-5 \* \* \* \* \* RSD-10  
 TABLE 6-6 \* \* \* \* \* RSD-10  
 Gust Factor \* \* \* \* \* G-0.85

SNOW/GROUND LOAD \* \* \* \* \* 50 P.S.F. (ASCE 7-16)

SEISMIC DESIGN PARAMETERS \* \* \* \* \* REFERENCE ASCE 7, 16 SEC. 11.4.8  
 S<sub>s</sub> \* \* \* \* \* 0.15  
 S<sub>1</sub> \* \* \* \* \* 0.0421  
 S<sub>2</sub> \* \* \* \* \* 0.03  
 S<sub>3</sub> \* \* \* \* \* 0.035

**CONCRETE**  
 CONCRETE FOR FOOTINGS SHALL BE 3000 PSI (28 DAYS) MINIMUM COMPRESSIVE STRENGTH UNLESS OTHERWISE NOTED.

**GENERATOR STAND SPECIFICATIONS**  
 THE STANDS ARE DESIGNED FOR GENERATOR WITH THE MAXIMUM WEIGHT OF 2000 LBS. DIMENSIONS OF THE GENERATOR USED ARE 24" HIGH, 18" WIDE AND 36" DEEP WITH A MAXIMUM CAPACITY OF 2000.

**STRUCTURAL MEMBERS**  
 ALL STRUCTURAL MEMBERS SHALL BE MADE OF THE FOLLOWING:  
 ALL ALUMINUM SHALL BE 6061-T6 UNLESS OTHERWISE NOTED.  
 ALL BOLTS SHALL BE 2024 ALUMINUM 6061 (OR) GALVANIZED STEEL WITH A MIN. YIELD STRENGTH OF 50 KSI UNLESS NOTED OTHERWISE.  
 WASHERS SHALL BE 6061-T6 FLAT WASHER.  
 ALL BOLTS AND WASHERS SHALL MATCH THE MATERIAL OF THE STANDS.

**SOIL BEARING CAPACITY**  
 A SOIL BEARING CAPACITY OF 1000 P.S.F. FOR TOTAL LOAD WAS ASSUMED AT THE BOTTOM OF THE FOOTING.

**HELICAL PILES DESIGN**  
 HELICAL PILES ARE SPECIFIED FOR A COMPRESSION LOADING OF 7000 LBS. ULTIMATE DESIGN CAPACITY AND COMPRESSIONS BASED ON THE FOLLOWING MINIMUM PARAMETERS:  
 FOR EVERY INCH OF GORGE SAND, ANGLE OF INTERNAL FRICTION IS 30° AND UNIT WEIGHT IS 120 PCF  
 C = 4000 LBS/FT<sup>2</sup>  
 N = 1000 LBS/FT  
 S = 4000 LBS/FT  
 FOR EVERY INCH OF SOFT CLAY, SOIL COHESION IS 2000 PSF  
 C = 4000 LBS/FT<sup>2</sup>  
 N = 1000 LBS/FT  
 S = 4000 PSF

ALL THESE CALCULATIONS ARE BASED ON PILE BEARING AT 5 FEET BELOW NATURAL GROUND AND ON WATER TABLE AT LEAST 2 FEET DEPTH.

ALTERNATE DESIGN SHALL BE REQUIRED FOR FOUNDATION IN VERY LOOSE SAND AND VERY SOFT CLAY.

**LIMITS AND REQUIREMENTS**

1. THE SUPPLIER'S STAND ASSEMBLY MUST BE LOCATED ON NATURAL GRADE LEVEL. THE ASSEMBLY DOES NOT APPLY TO ROOF TOP EQUIPMENT, BALCONIES OR ANY OTHER EQUIPMENT TO BE LOCATED ABOVE GROUND LEVEL.

2. ANY ALTERATIONS OR ADDITIONS TO THE DRAWING IS NOT PERMITTED AND INVALIDATES THIS CERTIFICATION.

3. THIS DOCUMENT IS GENERAL IN NATURE. SITE SPECIFIC ENGINEER'S SEAL VALIDATES THE STRUCTURAL DESIGN. DESIGN ONLY.

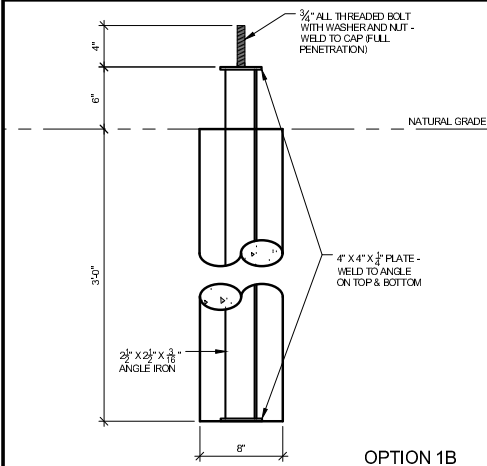
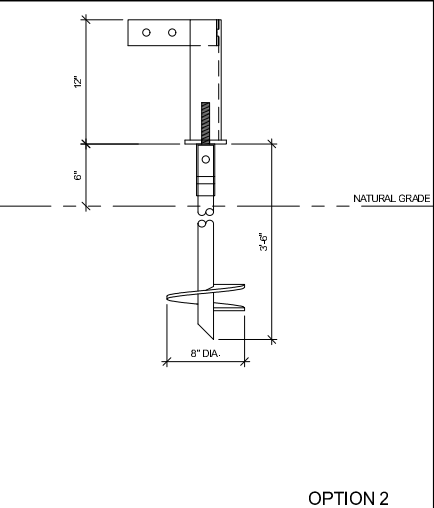
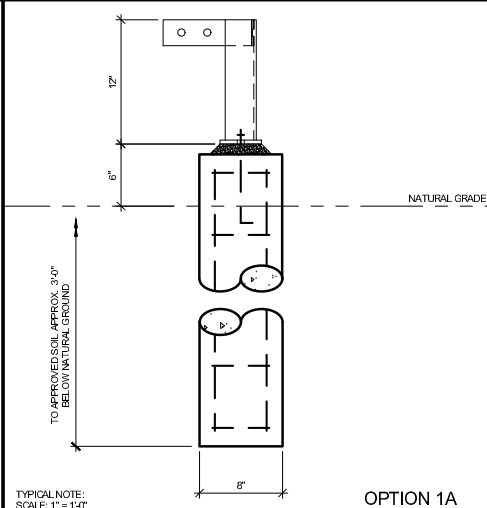
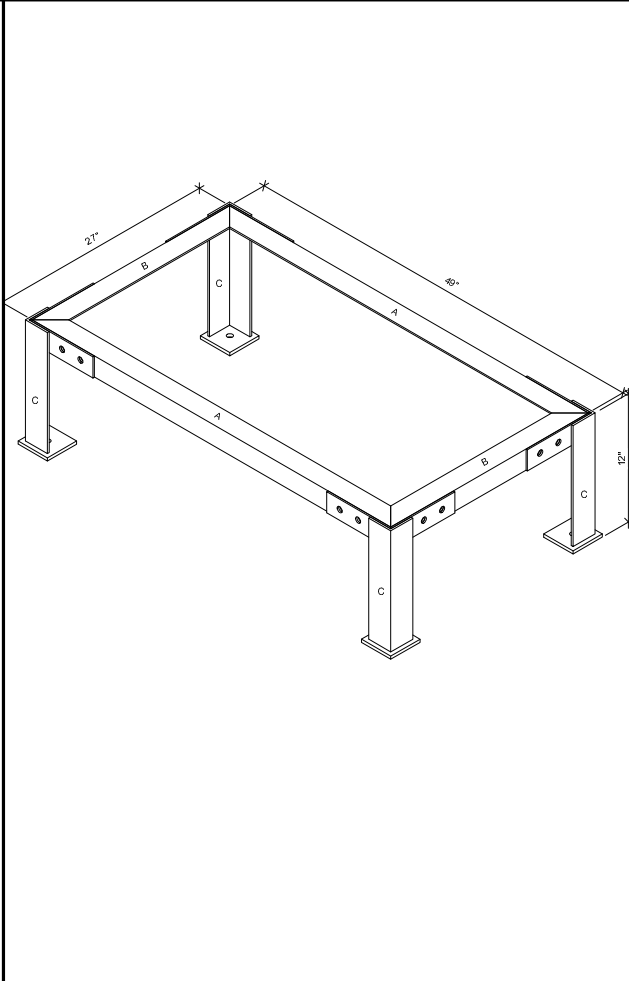
4. DIMENSIONS AND LOADS SHOWN ARE TO ILLUSTRATE GENERAL CONCEPT ONLY AND MAY VARY SLIGHTLY. ENGINEER SHALL NOT BE HELD RESPONSIBLE OR LIABLE IN ANY WAY FOR INACCURATE DATA OR MEASUREMENTS.

5. NO ADDITIONAL CERTIFICATION, OR ALTERATIONS ARE INTENDED OTHER THAN THE PROVIDED INFORMATION.

6. ANY STAND ASSEMBLY WITH OPERATIONS AND GENERATOR STANDS MUST BE SHOWN ON THE DRAWING SHALL BE DESIGNED ON A GREEN YARD BASIS.

7. ALL MECHANICAL SPECIFICATIONS SHALL BE PER MANUFACTURER RECOMMENDATIONS AND RESPONSIBILITY OF THE CONTRACTOR WHEN REQUIRED ELECTRICAL GROUND SHALL BE DESIGNED AND INSTALLED BY OTHERS.

8. AFTER INSTALLATION THE PLATFORM SHALL BE RE-LEVELLED.



DANIEL A. DOTSON  
109833  
LICENSED PROFESSIONAL ENGINEER

*Daniel A. Dotson*

Mar 16, 2021

NOTE:  
 FOR DETAILED INFORMATION SEE SHEET GS-003

**PATENT PENDING**

FILE # 20134 SE DET PROJECT # 20134

**Fittz & Shipman** INC.  
 Consulting Engineers and Land Surveyors  
 1405 CORNERSTONE COURT BEAUMONT, TEXAS  
 T.B.P.E. FIRM #1160 TX.L.S. FIRM #100186  
 © COPYRIGHT 2021 FITTZ & SHIPMAN, INC.

LOCATION					
STREET	95 Shore Ave				
CITY	Wareham	STATE	MA	ZIP	02571
*LOCATION TO BE FILLED OUT BY MANUFACTURER PER SITE FOR REFERENCE ONLY.*					

UNLESS OTHERWISE SPECIFIED ALL DIMENSIONS ARE IN INCHES

TOLERANCES:  
 FRACTION ±1/8  
 ANGLE ±1/2°  
 FINISH 125

THIS DRAWING AND THE INFORMATION AND DESIGN APPLICATION IS THE PROPERTY OF MAGNUM FIRE & SAFETY SYSTEMS, AND IS FURNISHED UPON THE EXPRESS CONDITIONS THAT NO REPRODUCTIONS OF THIS DRAWING OR ANY PART THEREOF SHALL BE MADE WITHOUT WRITTEN CONSENT OF MAGNUM FABRICATIONS, INC.

<b>GENERATOR STANDS LLC</b> 304 FARM DRIVE, BRIDGE CITY, TX - 77611				DRAWN BY: AL
				SCALE: AS NOTED
				DATE: 03/16/21
				APPROVED BY: DD
				Project # 101
<b>12" GS-001</b>				
TOTAL # UNITS	PAGE NUMBER	DRAWING NUMBER	REVISION	
-	2 OF 2	GS-001	1	