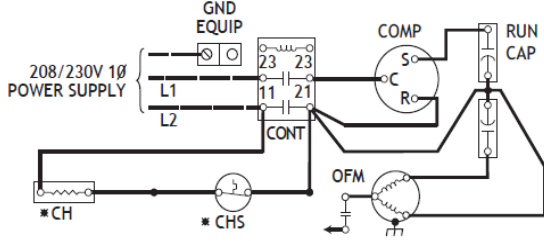


No START CAP / Split RUN CAP - Fan Circuit Included

DISCONNECT ALL SUPPLY VOLTAGES BEFORE WORKING ON ANY EQUIPMENT.

Fig. 1
Conventional HVAC unit with other soft starters installed.

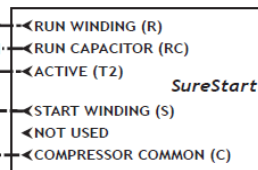
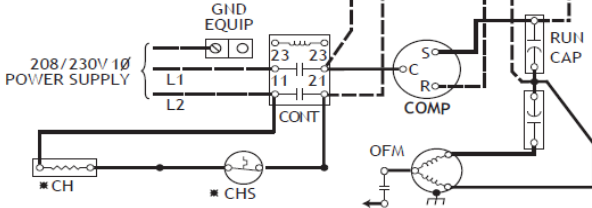


Sample Wiring Schematic

- LEGEND -

- Factory Power Wiring
- Field Power Wiring
- Factory Control Wiring
- Field Control Wiring
- Conductor On Circuit Board
- Component Connection
- 1/4 in. Quick Connect Terminals
- Junction
- CAP Capacitor (Dual Run)
- CH Cranks case Heater
- CHS Cranks case Heater Switch
- COMP Compressor
- CTD Compressor Time Delay
- CONT Contactor
- CB Circuit Board
- OFM Outdoor Fan Motor

Fig. 2
Installing SureStart



LED Flash Codes *

NOTE: LED is turned off in normal running mode.

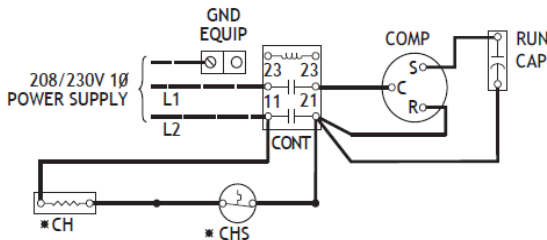
Flash Code	Definition	Time to re-start attempt
Rapid Flash (10/1 sec)	Low Voltage	3 min
Triple Flash (3/3 secs)	Lockout on 3 failed starts	50 min
Slow Flash (1/3 secs)	Lockout on overcurrent	10 min
Steady Flash (1/1 sec)	Cycle delay / Faults	3 min

* Refer to SureStart submittal set for detailed flash code descriptions.

No START CAP / Split RUN CAP - Fan Circuit Not Included

DISCONNECT ALL SUPPLY VOLTAGES BEFORE WORKING ON ANY EQUIPMENT.

Fig. 1
Conventional HVAC unit with other soft starters installed.

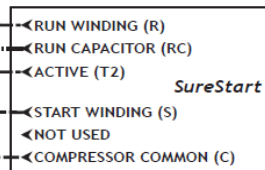
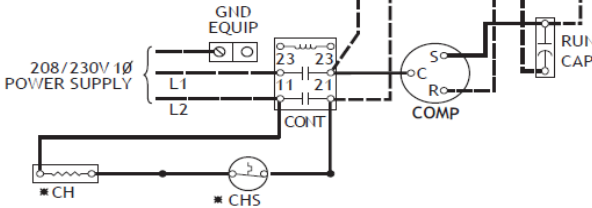


Sample Wiring Schematic

- LEGEND -

- Factory Power Wiring
- Field Power Wiring
- Factory Control Wiring
- Field Control Wiring
- Conductor On Circuit Board
- Component Connection
- 1/4 in. Quick Connect Terminals
- Junction
- CAP Capacitor (Dual Run)
- CH Cranks case Heater
- CHS Cranks case Heater Switch
- COMP Compressor
- CTD Compressor Time Delay
- CONT Contactor
- CB Circuit Board
- OFM Outdoor Fan Motor

Fig. 2
Installing SureStart



LED Flash Codes *

NOTE: LED is turned off in normal running mode.

Flash Code	Definition	Time to re-start attempt
Rapid Flash (10/1 sec)	Low Voltage	3 min
Triple Flash (3/3 secs)	Lockout on 3 failed starts	50 min
Slow Flash (1/3 secs)	Lockout on overcurrent	10 min
Steady Flash (1/1 sec)	Cycle delay / Faults	3 min

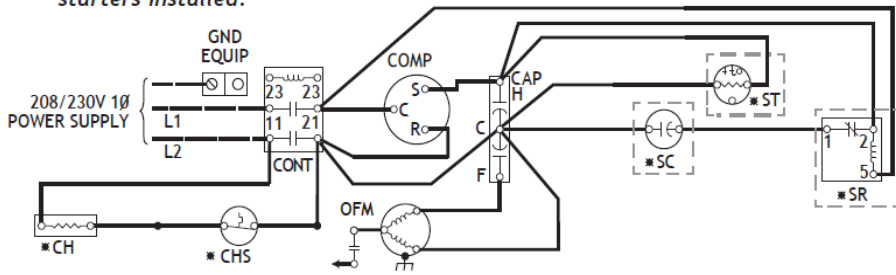
* Refer to SureStart submittal set for detailed flash code descriptions.

START CAP / Dual RUN CAP - Fan Circuit Included

DISCONNECT ALL SUPPLY VOLTAGES BEFORE WORKING ON ANY EQUIPMENT.

Fig. 1
Conventional HVAC unit with other soft starters installed.

Sample Wiring Schematic

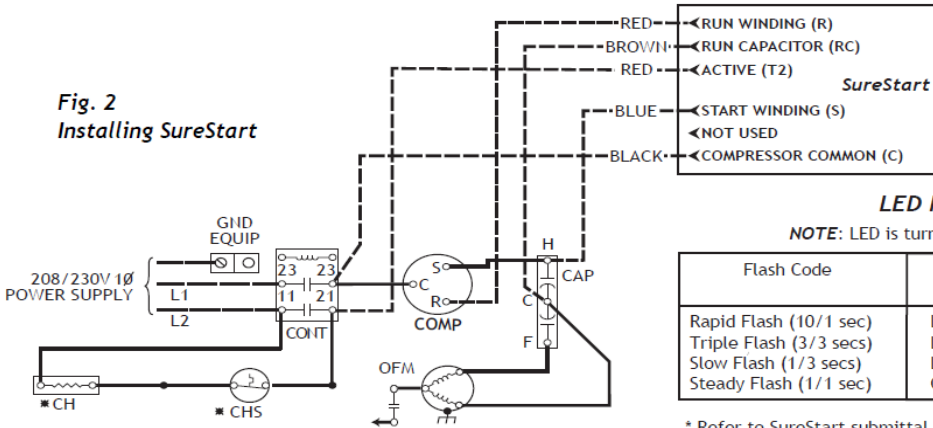


- LEGEND -

- Factory Power Wiring
- - - Field Power Wiring
- Factory Control Wiring
- - - Field Control Wiring
- Conductor On Circuit Board
- Component Connection
- 1/4 in. Quick Connect Terminals
- Junction
- CAP Capacitor (Dual Run)
- CH Cranksafe Heater
- CHS Cranksafe Heater Switch
- COMP Compressor
- CTD Compressor Time Delay
- CONT Contactor
- CB Circuit Board
- OFM Outdoor Fan Motor
- ST Start Thermistor
- SR Start Relay
- SC Start Capacitor

NOTE: If installed, remove all of the above devices
■ May be factory or field installed

Fig. 2
Installing SureStart



LED Flash Codes *

NOTE: LED is turned off in normal running mode.

Flash Code	Definition	Time to re-start attempt
Rapid Flash (10/1 sec)	Low Voltage	3 min
Triple Flash (3/3 secs)	Lockout on 3 failed starts	50 min
Slow Flash (1/3 secs)	Lockout on overcurrent	10 min
Steady Flash (1/1 sec)	Cycle delay / Faults	3 min

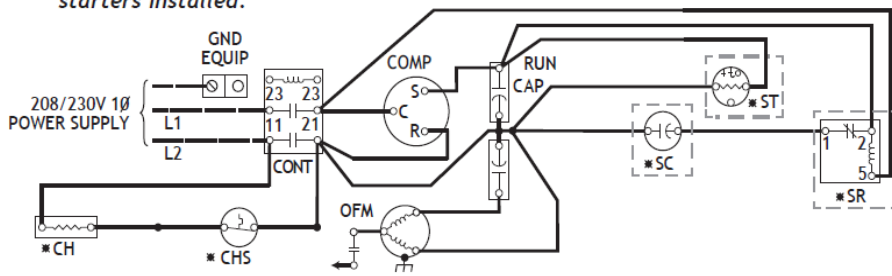
* Refer to SureStart submittal set for detailed flash code descriptions.

START CAP / Split RUN CAP - Fan Circuit Included

DISCONNECT ALL SUPPLY VOLTAGES BEFORE WORKING ON ANY EQUIPMENT.

Fig. 1
Conventional HVAC unit with other soft starters installed.

Sample Wiring Schematic

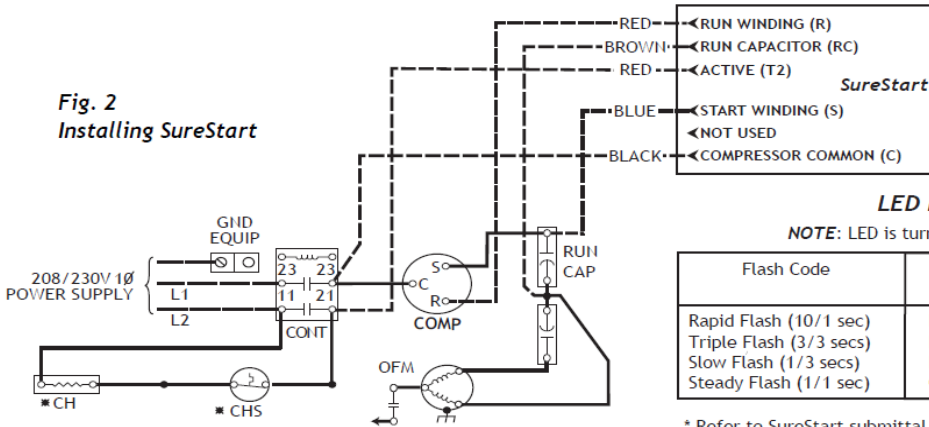


- LEGEND -

- Factory Power Wiring
- - - Field Power Wiring
- Factory Control Wiring
- - - Field Control Wiring
- Conductor On Circuit Board
- Component Connection
- 1/4 in. Quick Connect Terminals
- Junction
- CAP Capacitor (Dual Run)
- CH Cranksafe Heater
- CHS Cranksafe Heater Switch
- COMP Compressor
- CTD Compressor Time Delay
- CONT Contactor
- CB Circuit Board
- OFM Outdoor Fan Motor
- ST Start Thermistor
- SR Start Relay
- SC Start Capacitor

NOTE: If installed, remove all of the above devices
■ May be factory or field installed

Fig. 2
Installing SureStart



LED Flash Codes *

NOTE: LED is turned off in normal running mode.

Flash Code	Definition	Time to re-start attempt
Rapid Flash (10/1 sec)	Low Voltage	3 min
Triple Flash (3/3 secs)	Lockout on 3 failed starts	50 min
Slow Flash (1/3 secs)	Lockout on overcurrent	10 min
Steady Flash (1/1 sec)	Cycle delay / Faults	3 min

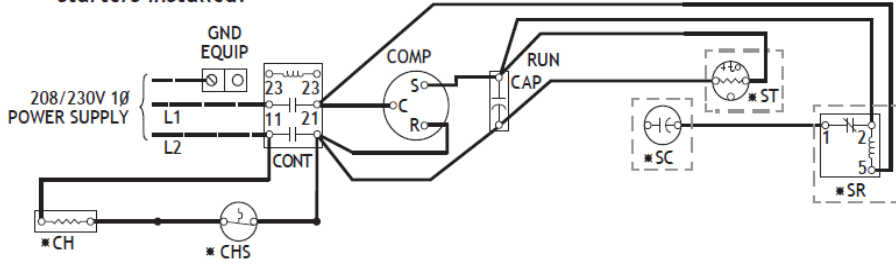
* Refer to SureStart submittal set for detailed flash code descriptions.

START CAP / Split RUN CAP - Fan Circuit Not Included

DISCONNECT ALL SUPPLY VOLTAGES BEFORE WORKING ON ANY EQUIPMENT.

Fig. 1
Conventional HVAC unit with other soft starters installed.

Sample Wiring Schematic

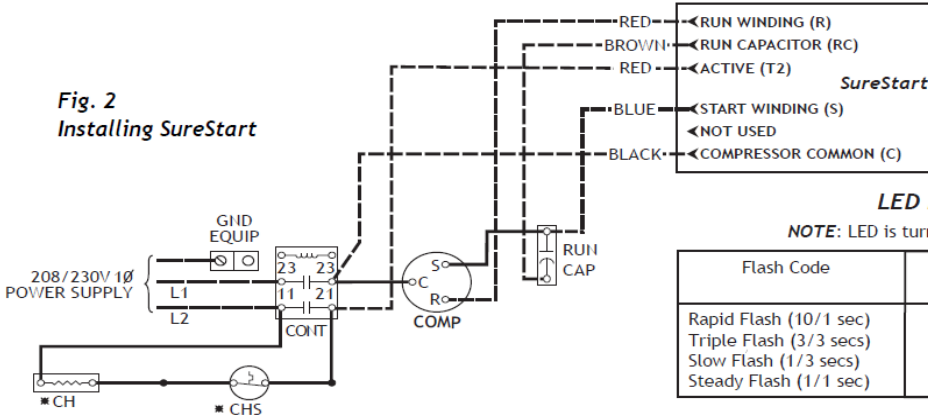


- LEGEND -

- Factory Power Wiring
- - - Field Power Wiring
- Factory Control Wiring
- - - Field Control Wiring
- Conductor On Circuit Board
- Component Connection
- 1/4 in. Quick Connect Terminals
- Junction
- CAP Capacitor (Dual Run)
- *CH Crankcase Heater
- *CHS Crankcase Heater Switch
- COMP Compressor
- CTD Compressor Time Delay
- CONT Contactor
- CB Circuit Board
- OFM Outdoor Fan Motor
- *ST Start Thermistor
- *SR Start Relay
- *SC Start Capacitor

NOTE: If installed, remove all of the above devices
* May be factory or field installed

Fig. 2
Installing SureStart



LED Flash Codes *

NOTE: LED is turned off in normal running mode.

Flash Code	Definition	Time to re-start attempt
Rapid Flash (10/1 sec)	Low Voltage	3 min
Triple Flash (3/3 secs)	Lockout on 3 failed starts	50 min
Slow Flash (1/3 secs)	Lockout on overcurrent	10 min
Steady Flash (1/1 sec)	Cycle delay / Faults	3 min

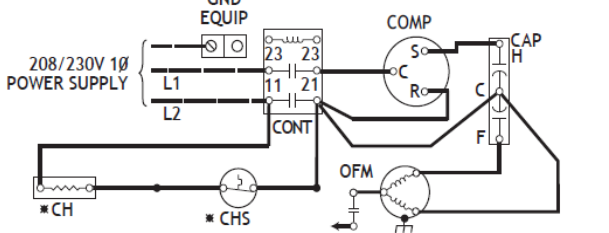
* Refer to SureStart submittal set for detailed flash code descriptions.

No START CAP / Dual RUN CAP - Fan Circuit Included

DISCONNECT ALL SUPPLY VOLTAGES BEFORE WORKING ON ANY EQUIPMENT.

Fig. 1
Conventional HVAC unit with other soft starters installed.

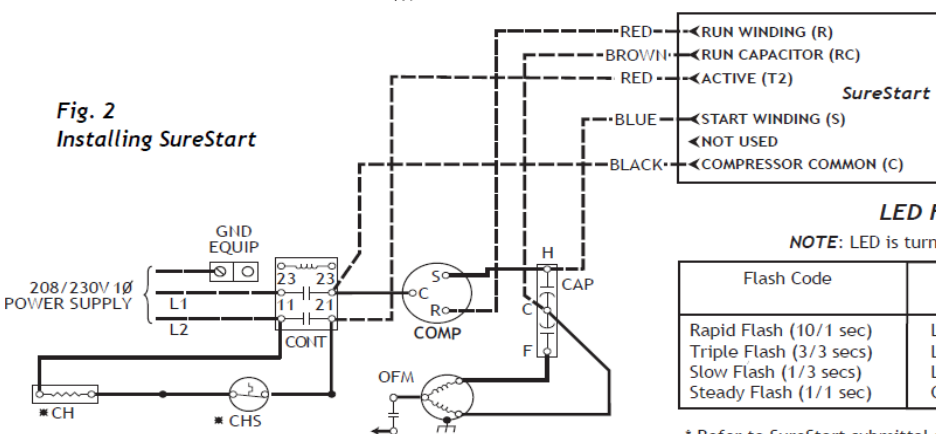
Sample Wiring Schematic



- LEGEND -

- Factory Power Wiring
- - - Field Power Wiring
- Factory Control Wiring
- - - Field Control Wiring
- Conductor On Circuit Board
- Component Connection
- 1/4 in. Quick Connect Terminals
- Junction
- CAP Capacitor (Dual Run)
- *CH Crankcase Heater
- *CHS Crankcase Heater Switch
- COMP Compressor
- CTD Compressor Time Delay
- CONT Contactor
- CB Circuit Board
- OFM Outdoor Fan Motor

Fig. 2
Installing SureStart



LED Flash Codes *

NOTE: LED is turned off in normal running mode.

Flash Code	Definition	Time to re-start attempt
Rapid Flash (10/1 sec)	Low Voltage	3 min
Triple Flash (3/3 secs)	Lockout on 3 failed starts	50 min
Slow Flash (1/3 secs)	Lockout on overcurrent	10 min
Steady Flash (1/1 sec)	Cycle delay / Faults	3 min

* Refer to SureStart submittal set for detailed flash code descriptions.